



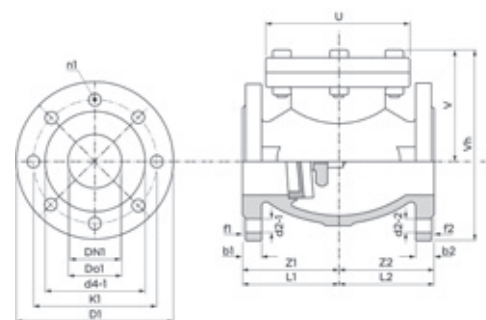
V914 Swing check valve (2 x flange)



specification

- all sizes rated PN16
- horizontal or vertical fixing (upward flow only)
- bronze seat and disc facing
- BS EN 12334:2001
- cast iron body and disc
- cast iron cover
- gasket - graphite non asbestos

DN	Connection	Code	Weight (kg)
DN65	2 1/2"	15378	17.3
DN80	3"	15379	141.5
DN100	4"	15380	37.5
DN125	5"	15381	40.9
DN150	6"	15382	51.7
DN200	8"	15383	120.0
DN250	10"	15384	218.0
DN300	12"	15385	218.0



Dimensions (mm)									
	b1/b2	d2-1	d2-2	f1/f2	L1/L2	U	V	Vh	Z1/Z2
DN65	20.0	19.0	19.0	3.0	108.0	185.0	132.0	225.0	108.0
DN80	20.0	19.0	19.0	3.0	120.0	200.0	141.0	242.0	120.0
DN100	22.0	20.0	20.0	3.0	146.0	220.0	163.0	273.0	146.0
DN125	22.0	20.0	20.9	3.0	165.0	250.0	197.0	322.0	165.0
DN150	24.0	20.0	20.0	3.0	177.0	285.0	212.0	355.0	177.0
DN200	26.0	21.0	21.0	3.0	247.0	340.0	257.0	427.0	247.0
DN250	29.0	21.0	21.0	3.0	311.0	405.0	298.0	501.0	311.0
DN300	32.0	25.0	25.0	3.0	349.0	460.0	330.0	561.0	349.0

	a1	D1	DN1	Do1	d4-1	k1	n1
DN65	22.5	185.0	DN65	67.0	122.0	195.0	8.0
DN80	22.5	200.0	DN80	82.0	138.0	215.0	8.0
DN100	22.5	220.0	DN100	102.0	158.0	240.0	8.0
DN125	22.5	250.0	DN125	127.0	188.0	275.0	8.0
DN150	22.5	285.0	DN150	152.0	212.0	315.0	8.0
DN200	22.5	340.0	DN200	202.0	268.0	375.0	8.0
DN250	22.5	405.0	DN250	252.0	320.0	447.0	8.0
DN300	22.5	460.0	DN300	302.0	370.0	505.0	8.0

Material specification

Nr	Component	Material	Nr	Component	Material
1	Body	Cast iron	9	Hinge pin	Stainless steel
2	Body seating	Bronze (GM)	10	Hinge pin plug	Brass
3	Disc	Cast iron	11	Hinge	Ductile iron
4	Disc assembly	Cast iron	12	Stop pin	Stainless steel
5	Disc facing ring	Bronze (GM)	13	Seat	EPDM
6	Disc nut	Brass	14	Seat ring	Bronze (GM)
7	Cover	Cast iron	15	Gasket	Asbestos free
8	Cover gasket	Graphite non-asbestos	16	Springs	Stainless steel

Maximum pressure conditions

Size	Max Pressure (bar)	Min/Max Temperature (°C)	Test Pressure Shell (bar)	Test Pressure Seat (bar)	Max Pressure (psi)	Min/Max Temperature (°F)	Test Pressure Shell (psi)	Test Pressure Seat (psi)
DN65 to DN300	16.0	-10°C + 120°C	24.0	17.5	232.1	14°F + 248°F	348.1	253.8

Pressure equipment directive category

All sizes classified SEP

Pressure & temperature ratings

